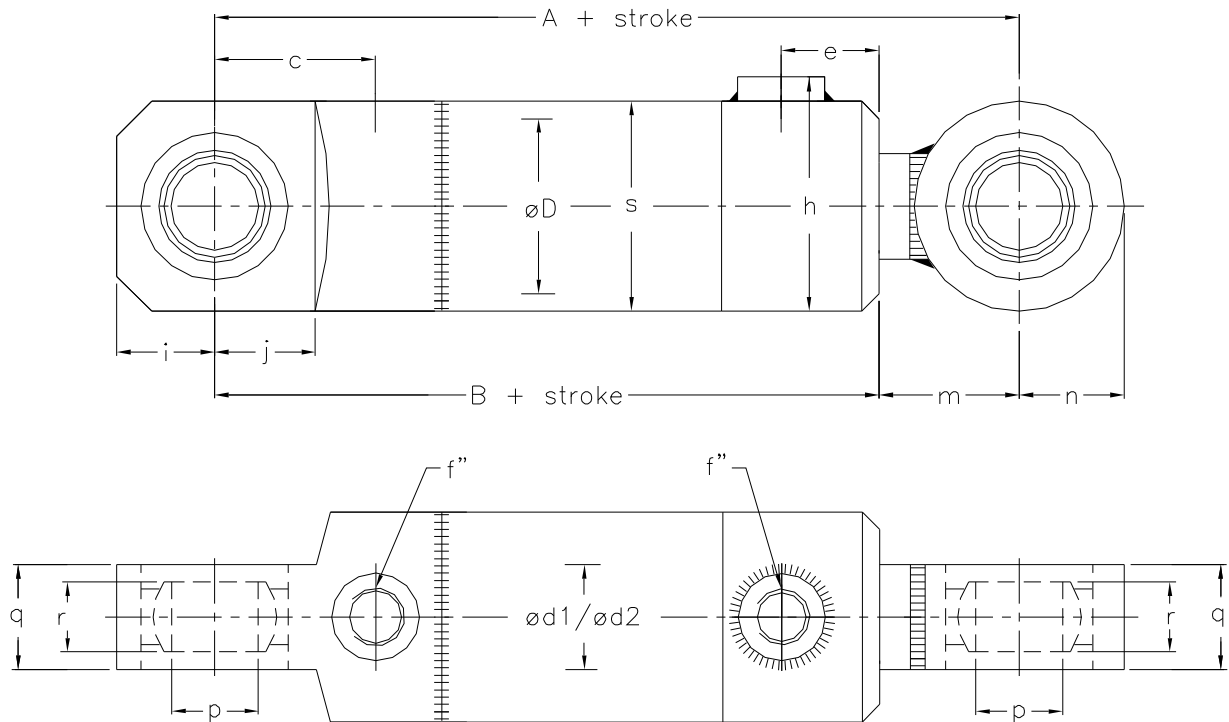


AQ70 LL cylinders



Dimension table

$\varnothing D$	32	40	50	63	80
$\varnothing d1/\varnothing d2$	16	25	30	40	50
A	170	185	217	245	285
B	126	150	177	180	233
c	24	29	28	38	50
e	29	30	33	39	42
f''	1/4"	1/4"	3/8"	3/8"	1/2"
h	53	58	68	75	100
i	18	25	28	35	40
j	18	23	32	35	38
m	31	33	40	45	52
n	19	25	30	35	45
p	15	20	25	30	35
q	20	25	30	35	45
r	15	16	20	22	35
s	40	50	60	75	95

How to order:



AQ70 LL x1 / x2 * x3

x1: Inside diameter : 50 mm
 x2: Piston rod : 30 mm
 x3: Stroke : 200 mm

Ordering code: AQ70 LL 50/30*200

Eksempel på ordre:



AQ70 LL x1 / x2 * x3

x1: Indvendig diameter : 50 mm
 x2: Stempelstang : 30 mm
 x3: Slaglængde : 200 mm

Ordre kode: AQ70 LL 50/30*200